

ISSN 0973-9777

Volume-6 Number-4 July-August 2012

The Indian Journal of Research

ANVIKSHIKI

Bi-monthly International Journal of all Research

Science



MPASVO

Published on behalf of the MPASVO in
association with the Member's of Anvikshiki

MANEESHA PUBLICATIONS
www.anvikshikijournal.com

Anvikshiki

The Indian Journal of Research

Bi-Monthly International Journal of All Research

Editor in Chief

Dr. Maneesha Shukla, maneeshashukla76@rediffmail.com

Review Editors

Prof. H. D. Khanna, Head Department of Biophysics, Institute of Medical Sciences Banaras Hindu University, Varanasi U.P. India
Ranjana S. Khanna, Department of Chemistry, Faculty of Science, Banaras Hindu University, Varanasi U.P. India

Editors

Dr. Mahendra Shukla, Dr. Anshumala Mishra

Editorial Board

Dr. Anita Singh, Dr. Bhavna Gupta, Dr. Madhavi Shukla, Dr. S. M. Shukla, Dr. Nilmani Prasad Singh, Dr. Reena Chatterjee,
Dr. Pragma Srivastava, Dr. Anup Datt Sharma, Dr. Padmini Ravindra Nath, Manoj Kumar Singh, Archana Rani, Deepak Kumar,
Avanish Shukla, Vijaylaxmi, Kavita, Jyoti Prakash, Uma Shankar ram, Rashmi Saxena., Dr. A. K. Thakur, Narendra Shanker
Tripathi.

International Advisory Board

Dr. Javad Khalatbari (Tonekabon, Iran.), Dr. Shohreh Ghorbanshiroudi (Tonekabon, Iran.), Mohammad Mojtaba Keikhaifarzaneh
(Zahedan, Iran.), Saeedeh Motamed (Tonekabon, Iran.), Majid Karimzadeh (Iran), Phra Boonserm Sritha (Thailand),
Rev. Dodamgoda Sumanasara (Kalutara South), Ven. Kendagalle Sumanaransi Thero (Srilanka), Phra Chutidech Sansombat
(Bangkok, Thailand), Rev. T. Dhammaratana (Srilanka), P. Treerachi Sodama (Thailand), Sita Ram Bahadur Thapa (Nepal)

Manager

Maheshwar Shukla, maheshwar.shukla@rediffmail.com

Abstracts and Indexing

<http://nkrc.niscair.res.in/browseByTitle.php?Keword=A, ICMJE>, www.icmje.org, Academia.edu, banaras.academia.edu,
ebookbrowse.com, BitLibrary! [http:// www.bitlib.net/](http://www.bitlib.net/), Tech eBooks, freetechebooks.com, ARTAPP.NET, artapp.net, Catechu PDF / printfu.org, File Away, www.fileaway.info, KMLE 의학 검색 엔진, www.library.com, <http://www.docslibrary.com>, MyCellular.ORG, Android Tips, Apps, Theme and Phone Reviews <http://dandroidtips.com>, www.edu-doc.com, www.themarketingcorp.com, Dunia Ebook
Gratis duniaebook.net, www.cn.doc-cafes.com, Google, <http://scholar.google.co.in>, Website : www.onlineijra.com. Motilal
Banarasi Das Index, Varanasi, Motilal Banarasi Das Index, Delhi. Banaras Hindu University Journal Index, Varanasi. www.bhu.ac.in,
D.K.Publication Index, Delhi. National Institute of Science Communication and Information Resources Index, New Delhi.

Subscriptions

Anvikshiki, The Indian Journal of Research is Published every two months (January, March, May, July, September and November) by mpasvo Press, Varanasi. u.p. India. A Subscription to The Indian Journal of Research : Anvikshiki Comprises 6 Issues in Hindi and 6 in English and 3 Extra Issues. Prices include Postage by Surface mail, or For Subscription in the India by Speed Post. Airmail rates are also available on request. Annual Subscriptions Rates (Volume 3, 6 Issues in Hindi, 6 Issues in English and 6 Issues of science 2012):

Subscribers

Institutional : Inland 4,000 +500 Rs. P.C., Single 500+51 Rs. P.C., Overseas 6000+2000Rs. P.C., Single 1000+500 Rs. P. C.

Personal : 2,500+500 Rs. P.C., Single 500+51 Rs. P.C., Overseas 5000+2000Rs. P.C., Single 1000+500Rs. P. C.

Advertising & Appeal

Inquiries about advertising should be sent to editor's address. Anvikshiki is a self financed Journal and support through any kind or cash shall be highly appreciated. Membership or subscription fees may be submitted via demand draft in favor of Dr. Maneesha Shukla and should be sent at the address given below. Sbi core banking cheques will also be accepted.

All correspondence related to the Journal should be addressed to

B.32/16 A., Flat No.2/1, Gopalkunj, Nariya, Lanka, Varanasi, U.P., India

Mobile : 09935784387, Tel.0542-2310539., e-mail : maneeshashukla76@rediffmail.com, www.anvikshikijournal.com

Office Time : 3-5 P.M. (Sunday off)

Journal set by

Maheshwar Shukla, maheshwar.shukla@rediffmail.com

9415614090

Printed by

mpasvo Press



Maneesha Publication

(Letter No. V-34564, Reg. 533/2007-2008)

B-32/16-A-2/1, Gopalkunj, Nariya, Lanka

Varanasi, U.P., India

Anvikshiki

The Indian Journal of Research

Volume 6 Number 4 July 2012

Science Papers

Oral Health Considerations for the Treatment of Patients with Diabetes Mellitus – A Review 1-7
Dr. Rajul Vivek, Dr. Ankita Singh and Dr. T. P. Chaturvedi

Concept of Homeostasis in Ayurveda 8-13
Sunil Kumar Chaudhary and N.S. Tripathi

Implant Dentistry in Medically Compromised Patients- A Review 14-19
Dr. Ankita Singh, Dr. Rajul Vivek and Prof. T. P. Chaturvedi

Impact of Breakfast Eating Pattern on Performance in School Children in Urban Lucknow – A Survey 20-24
Reema Singh and Ruchira Rathaur

Smart and Intelligent Energy Management System Using GSM Technology 25-32
Aditya Narian

A Novel Skeleton to Explore Provider's Context and User's Context 33-40
Jitendra Pratap

Controlling Computer Integrated Manufacturing System Using Data Mining 41-47
Manoj Kumar

Performance Analysis of Broadband OFCDM System For Wireless Communications 48-52
Prince Katiyar

PV-Assisted Wind Energy System with A Dfig 53-60
Nidesh Gangwar

Social Network Analysis of by Mining Enron Email Dataset 61-69
Rajesh Kumar

A Novel Methodology for Software Teambuilding Using Anns 70-76
Hemant Kumar Chaudhary

Web Service Discovery Systems Focusing on Systems that Support Qos 77-84
Vikas Porwal

An Overview of Handoffs in Fourth Generation Mobile Networks 85-95
Vivek Sagar

Approach for Resource and Knowledge Discovery 96-103
Mohd Shahid and Dr. Mohd. Hussain

Study of Lattice Dynamics of Diamond 104-111
S.R.B.Thapa

Studies on Mixed Ligand Complexes of Alkaline Earth Metals with 8-Hydroxyquinoline and Benzil 112-115

Vivek Singh

Applications of Acidifiers in Fish Nutrition 116-120

Arun Kumar

Metal-Alloy Nanoclusters in Silica by Ion Implantation 121-126

Prabhat Ranjan and Deepak Kumar

Study of Aquaculture Feed & Sea Food Quality 127-130

Pooja Kumari

Nutrition and Morphogenesis in Fish Larvae : Analytical Study 131-134

Deepak Kumar

Effect of Aquaculture on World Fish Supplies 135-137

Vikash Kumar Jawala

Analysis of Oil Replacement in Fish Feed on Lipid Composition 138-143

Prabhat Ranjan and Vikash Kr. Jawala

Analysis of Trace Gas Using Pulsed (Las) Laser Absorption Spectroscopy 144-148

Arun Kumar

Fish Feed to Assist in Aquaculture Nutrition Management 149-154

Vikash Kr. Jawala

History of Sweat Gland – An Overview 155-158

Ajay Kumar and Dr Ranjit Kumar

PRINT ISSN 0973-9777, WEBSITE ISSN 0973-9777

PV-ASSISTED WIND ENERGY SYSTEM WITH A DFIG

NIDESH GANGWAR*

Declaration

The Declaration of the author for publication of Research Paper in The Indian Journal of Research Anvikshiki ISSN 0973-9777 Bi-monthly International Journal of all Research: I, *Nidesh Gangwar* the author of the research paper entitled PV-ASSISTED WIND ENERGY SYSTEM WITH A DFIG declare that , I take the responsibility of the content and material of my paper as I myself have written it and also have read the manuscript of my paper carefully. Also, I hereby give my consent to publish my paper in Anvikshiki journal , This research paper is my original work and no part of it or it's similar version is published or has been sent for publication anywhere else. I authorise the Editorial Board of the Journal to modify and edit the manuscript. I also give my consent to the Editor of Anvikshiki Journal to own the copyright of my research paper.

Abstract

Doubly fed induction generators used in wind energy applications require a source and power converter system to feed variable frequency ac voltage to its rotor. The paper presents a hybrid system in which the rotor power can be drawn either from three-phase ac mains or a photo voltaic (PV) panel-battery combination. While drawing power from ac mains, the ac-dc converter used has a soft switching feature and also power factor correction. One of the MOSFET switches of the ac-dc converter will be used for boosting the PV panel output. The results obtained on an experimental converter are presented. Keywords: DFIG's, Photovoltaic (PV), power factor corrector (PFC)

I. Introduction

Renewable energy sources like wind energy and photovoltaic (PV) power are becoming popular. Doubly fed induction generators (DFIGs) are increasingly used in wind generating systems in which the rotor speed need not be maintained constant. These systems use a wound-rotor induction machine to convert the mechanical power from the wind turbine into a fixed-frequency ac output supplied to the grid. The frequency of the voltage injected into the rotor is adjusted such the sum of rotor frequency and the equivalent frequency corresponding to mechanical rotation is equal to the desired stator frequency (60Hz). In this scheme, the power required for rotor injection is a small fraction (25%) of the output power and it comes from the ac mains through a set of power converters^{1,2}. Thus the system uses power converters as well as filters with correspondingly lower ratings. The inverter provides a sinusoidal

*M.Tech in Mechanical Engineering, Singhania University (Rajasthan) India.

voltage to the rotor terminals at a frequency determined by the mechanical speed of the rotor. The dc link voltage for the inverter is usually provided by a converter/rectifier. Some of the issues not addressed in the existing DFIG control schemes are: (a) the absence of power factor correction in the rectifier (b) the absence of soft switching that will improve the efficiency of the rectifier and (c) the ability to supply ac power to isolated loads using photovoltaic (PV) power. As for (c), PV panels installed along side the wind turbine can be used to aid wind generation particularly when the system uses a DFIG. The modified system can also supply isolated loads.

The paper proposes a hybrid scheme in which the injection power can be drawn from (a) ac mains at unity power factor if available or (b) a set of PV panels and a back-up battery in the absence of ac mains. The three-phase power from the ac mains is converted into a dc using a three-phase resonant-boost power factor corrector (PFC) with only two switches operating under zero voltage switching (ZVS)³.

In the absence of an ac bus, a set of PV panels supply injection power to the rotor through a boost converter which is realized using one or more of the switches in the power factor corrector. A battery is added as (a) a buffer storing the extra energy from the PV panel when the maximum power available is more than what is required for rotor injection and (b) a dc source providing injection power in the absence of sun light. Simulation and experimental results including the PFC waveforms and harmonic distortion are presented.

II. Three Phase Power Factor Corrector

The power converter system proposed for rotor injection in a DFIG is shown in Fig. 1. The three-phase PFC is made up of the line inductors L_a, L_b, L_c , the diodes D1-D8, the resonant capacitors C_a, C_b, C_c , the resonant inductor L , and the MOSFETS M_x and M_y ³. The PFC draws sinusoidal currents from the bus (V_a, V_b, V_c) and supplies a dc voltage to the three-phase inverter which in turn supplies variable-frequency sine voltage to the rotor of the DFIG. The three-phase inverter is a Sine PWM inverter and its frequency and modulation index are varied through feedback to give rated stator voltage at 60Hz.

In the PFC topology, three capacitors are used to decouple the three-phase system into three single-phase systems and to control each phase independently and this helps to obtain a low THD value for each input current while delivering a lower output dc voltage. The two switches M_x and M_y along with the inductor L constitute a high-frequency current source which is responsible for the energy transfer from the three phase ac side to the dc side. The input current is partly continuous and partly discontinuous depending upon the input voltage level which modulates the equivalent duty cycle for the inductor current.

For a balanced three-phase system, the converter can be decoupled into three single-phase PFC converters and analyzed³. The input capacitor C_a first transfers part of the input energy to the inductor L and the energy is then transferred to the dc filter capacitor and the load maintaining an output voltage V_{dc} . Depending on the magnitude of the instantaneous input voltage, the circuit may operate under (i) a resonant input mode or (ii) a boost input mode. The resonant input mode corresponds to a low instantaneous input voltage, and during this mode, the voltage on C_a is always less than V_{dc} . The boost input mode, on the other hand, corresponds to a high instantaneous input voltage, and during this mode the voltage on C_a approaches V_{dc} .

The input/output power can be controlled by controlling the amplitude of the high-frequency current source which is in turn controlled by the switching frequency. The following equations are used to design of the converter: the DFIG. The duty cycle of M_y is adjusted for extracting the maximum power

The voltage sensed across the resistor $R1$ is applied to a second sample and hold circuit which the

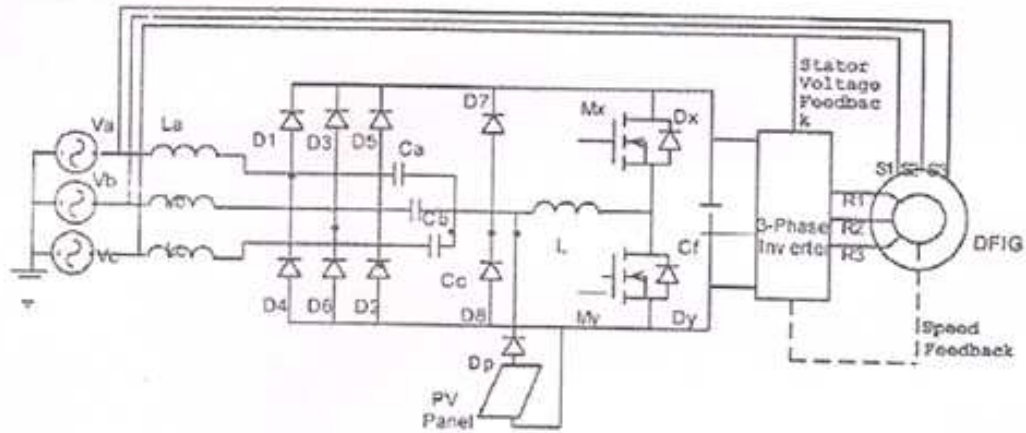


Fig. 1 Power converter arrangement for a DFIG

available from the PV panels under a given level of insolation. The converter system uses a current-based maximum power point tracking (MPPT) scheme^{5,6}. The scheme senses the short circuit current under a given insolation by applying a long pulse to M_y and shorting the panel. The voltage sensed across R_s is applied to a sample and hold circuit which provides the short circuit current (I_{sc}) data to a PI.

$$\frac{1}{2f_s} \sqrt{LC_a} L \frac{I_m}{k} \quad (1)$$

$$P_{in} = K \sqrt{\frac{C_a}{L}} \quad (2)$$

where f_s is the switching frequency, I_m is the amplitude of the current through the resonant inductor and K is a proportionality constant. The three-phase PFC was designed for operation for an input voltage of 120Vline to line at 60Hz and an output power of 300W at about 200Vdc. The switching frequency of the MOSFETs was selected as 155kHz. The values of the components $L_a = L_b = L_c$, $C_a = C_b = C_c$, in the PFC are calculated for the nominal power to be supplied to the rotor of the DFIG. The circuit of Fig. 1 was simulated using the software PSIM⁴ and the waveforms of input current and its frequency spectrum of input current are obtained. The harmonic amplitudes in the input current and the total harmonic distortion (THD) for different input voltages were obtained to show the effectiveness of the circuit in handling a range of input voltages.

III. PV Power And Maximum Power Point Tracking

During grid-connected operation, the three-phase PFC supplies dc power to the inverter which feeds a variable frequency ac voltage to the rotor of the DFIG. For isolated loads, the injection power is drawn from the PV panel through a boost converter made up of the high-frequency inductor L , the MOSFET M_y , and the diode D_x which are part of the three-phase PFC. In this case, the bulk capacitor C_f is replaced by a battery which provides injection power in the absence of sunlight. During night when sunlight is not there, the battery may be charged by rectifying the 3-phase ac voltage output of controller.

The voltage sensed across the resistor R1 is applied to a second sample and hold circuit which provides the PV current (I_{pv}) to the PI controller ⁶. The PI controller forces the PV current to be at a fraction (0.9) of the short circuit current by adjusting the duty cycle of M_y . The complete MPPT controller shown as MPPT controller is realized (Fig.2) using a Digital Signal Controller (dsPIC) ⁷. The details of the programming are not shown for want of space.

If the power output from the PV panel exceeds the power required for rotor injection, then the excess power goes to charge the battery. Otherwise the battery supplies the difference. The voltage rating of the PV panels and the number of panels are selected such that it is possible to boost the panel output voltage to the rated dc link voltage of the inverter with reasonable values for the duty cycle.

IV. Inverter and Frequency Control

a. Sine PWM inverter using a single DC Source

A three-phase Sine PWM inverter is used to convert the dc voltage from the three-phase PFC/ PV boost converter as obtained in Fig. 1. The rotor speed information of the DFIG is provided using a digital speed transducer. The gate signals for the MOSFETs in the inverter are provided by the dsPIC. The injection frequency f_r is adjusted such that for a mechanical frequency (speed) f_m , $f_m + f_r = f_s$ (3), where f_s is the stator frequency (60Hz).

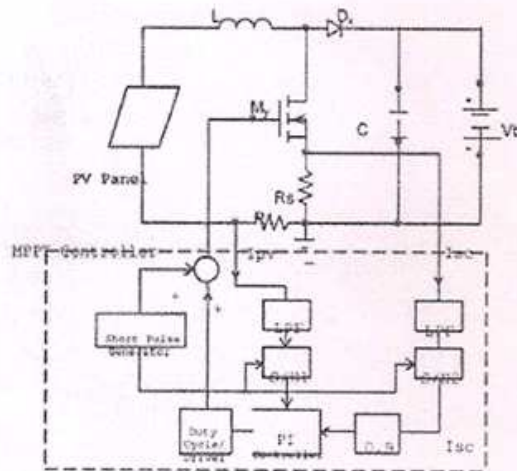


Fig. 2 Block diagram of MPPT converter

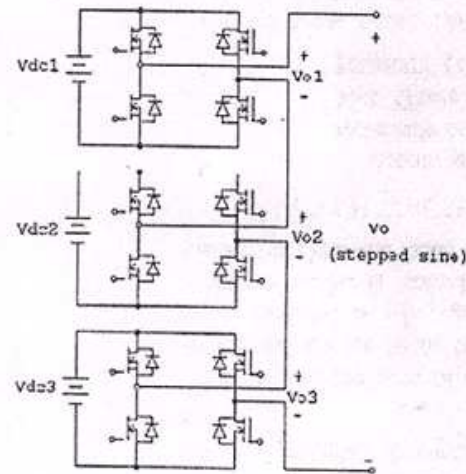


Fig. 3 Power circuit of multilevel inverter (1 phase)

The inverter uses a six-switch full bridge with IGBTs ⁸. The modulation index of the inverter is adjusted such that the inverter outputs rated voltage. The stator frequency and voltage (grid frequency and voltage) information necessary is fed to the Digital Signal Controller as shown in Fig. 1. In the absence of a three-phase ac bus (isolated loads), the frequency and magnitude information have to be provided separately to the inverter. The reactive power exchanged can be controlled by varying the phase angle of the sine voltage used as reference to the inverter.

b. Multilevel cascaded inverter using several DC sources

The PV assisted wind energy system has two or more dc sources at its disposal. The output voltage of the three-phase PFC is the primary dc source and the PV panels constitute one or more dc sources. The availability of multiple dc sources makes it possible to build a multi-level inverter^{8,9} which has reduced switching losses compared to a conventional Sine PWM inverter. In the multilevel inverter proposed, several dc sources are used to synthesize the desired output sine waveform. The outputs from three or more single-phase bridge inverters (Fig. 3) operating in the pulse width control (PWC) mode (Fig. 4) are added to give a net waveform which is close to a sine.

As can be seen from Fig. 4, V_{dc3} supplies power almost the entire portion of the period so it is formed by the three-phase PFC. The other sources V_{dc1} and V_{dc2} are formed by groups of PV panels in series or parallel combination depending on the power requirement. The following are the advantages of the proposed multilevel inverter compared to a conventional Sine PWM inverter:

- (i) Reduced switching losses and noise
- (ii) Reduced value of the line inductor to be used for reducing the ripple in the current
- (iii) Possibility of modularizing the inverter blocks making up the cascade.

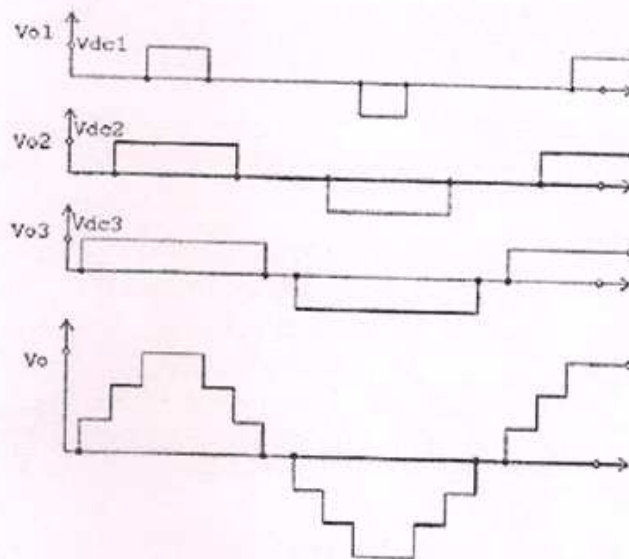


Fig. 4 Output waveforms of the converter of Fig. 3

V. Simulation and Experimental Results

A 5HP, 4-pole wound rotor induction motor is used as the DFIG. A separately excited dc motor is used as the prime mover substituting the wind turbine.

Four 120W PV panels (Solarex SX-120) connected in series give a maximum output 400W at a voltage of 120V under medium sunlight conditions. With this, it is possible to step up to 200V matching the output from the 3-phase PFC. The total wind generation scheme can output as high as 1500W.

The waveform of one of the line currents and its frequency spectrum obtained from simulation⁷ of the PFC circuit are given in Fig. 3. It is seen that the THD is less than 10%. Table 1 gives the output dc voltage and THD for a range of input voltages and it is seen that the three-phase PFC has a consistently low distortion over a range of input voltages. Other parameters are: $C_a = 5.1\text{nF}$, $L_a = 0.4\text{mH}$, $L = 65\mu\text{H}$.

The three-phase PFC was built and tested and the experimental waveform of one of the line currents and its frequency spectrum (obtained using a waveform processing software) are shown in Fig. 4. The THD is found to be 8.1% which is very close to the result obtained from simulation. The output dc voltage is 169.8V for an input voltage of 120V line.

V _{in} , Volts	52	104	166	208
V _{dc} , Volts	74.4	148.8	237.5	297.6
THD, %	9.25	9.25	9.25	9.25

Table 1 Variation of Output voltage and THD with input voltage ($f_s = 155\text{kHz}$, $R_L = 300\Omega$)

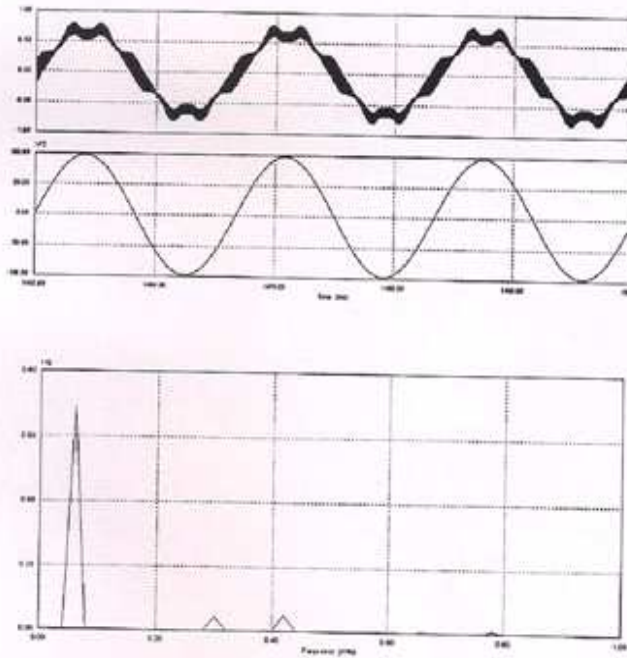
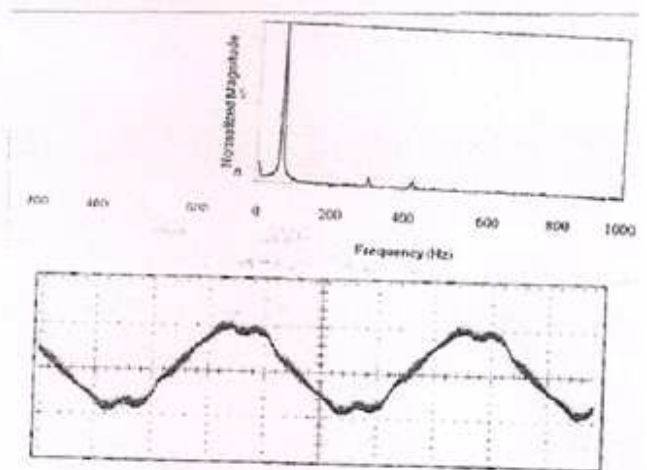


Fig. 5 Simulated waveforms of line current, voltage, frequency spectrum



(a) Waveform of line current
 (b) Frequency spectrum of line current
 Fig. 6 Experimental waveforms of three-phase PFC

The waveforms of the gate signal and the drain-source voltage of M_y are shown in Fig. 5 and it is seen that the drain-source voltage goes to zero before its gate pulse is applied showing zero voltage switching condition.

The PV panels used have an open circuit voltage of 39.2V, a short circuit current of 2.89A, and maximum power voltage 37.15V. The nominal duty cycle of the boost converter was found to be 0.62. The complete system with the PFC and the inverter is built and tested. The wind turbine is simulated (replaced) using a dc generator. The speed of the DFIG is varied and the system provides rotor injection with suitable frequency and magnitude such that the output voltage has a constant magnitude (120V, line-line) and frequency (60Hz). Fig. 6 shows the waveforms of the rotor current waveform and stator output voltage at a rotor speed of 1230 rpm and a dc link voltage of 44V.

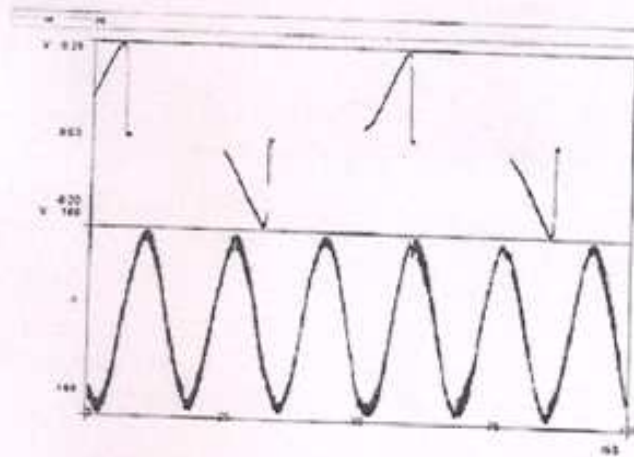


Fig. 6 Waveforms of rotor current and stator voltage

VI. Conclusions

The paper presents a hybrid renewable energy system with an efficient rotor injection scheme for a DFIG with the possibility of feeding from either three-phase ac mains or a PV panel-battery combination. The ac-dc converter used during ac mains operation has features like power factor correction and soft switching. The boost converter used to feed PV power to the rotor does not use any additional switches thereby resulting in a simpler power circuit.

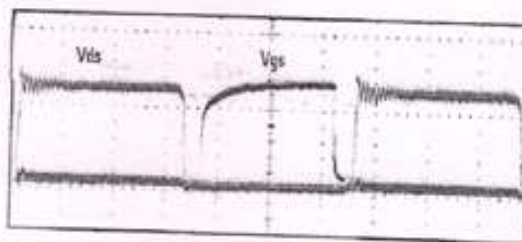


Fig. 5 Experimental waveforms of drain and gate voltages showing ZVS condition

The power converter system proposed in the paper is useful in combining wind energy and solar energy such that the wind energy constitutes the bulk of the power produced while the solar energy is used to provide the rotor excitation.

However, when there is no sunlight, the system in the present form will have problem in that the battery can supply power only for a limited amount of time. This can be overcome by adding an auxiliary charging circuit from the three-phase ac mains.

REFERENCES

- ¹S. MULLER, M. DEICKE & R.W. DE DONCKER, “*Doubly fed induction generator systems*,” IEEE Industry Applications Magazine, pp. 26 – 33, My - June 2002.
- ²A. PETERSSON, L. HARNEFORS & T. THIRINGER, “*Evaluation of current control methods for wind turbines using doubly-fed induction machines*,” IEEE Trans. Power Electronics, Vol. 20, No. 1, pp. 227 – 235, Jan. 2005.
- ³D. WENG & S. YUVARAJAN, “*Resonant-boost-input three-phase power factor corrector*.” IEEE Trans. Power Electronics, Vol. 14, No. 6, pp. 1149 -1155, Nov. 1999.
- ⁴*Psim*, A software by Powersim Technologies, Professional Version 6.05, 2004.
- ⁵M. MASOUM, H. DEHBONEI & E.F. FUCHS, “*Theoretical and experimental analyses of photovoltaic systems with voltage- and current-based maximum power point tracking*,” IEEE Trans. Energy Conversion, Vol. 17, No. 4, pp. 514 – 522, December 2002.
- ⁶S. YUVARAJAN, D. YU & S. XU, “*A novel power converter for photovoltaic applications*,” Journal of Power Sources, Vol. 135, No. 1-2, pp. 327 – 331, Sept. 2004.
- ⁷*Dspic By Microchip Technology*, Model: dsPIC 30F 2020, Data Sheet, 2006.
- ⁸J.-S. LAI, “*Power conditioning topologies*,” IEEE Industrial Electronics Magazine, pp. 24 – 34, June 2009.
- ⁹J.-S. LAI & F.Z. PENG, “*Multilevel converters – A new breed of power converters*,” IEEE Trans. Industry Applications, Vol. 32, No. 4, pp. 509 – 517, May/June 1996.

Note for Contributors

SUBMISSION OF PAPERS

Contributions should be sent by email to Dr. Maneesha Shukla Editor-in-Chief, Anvikshiki, The Indian Journal of Research (maneeshashukla76@rediffmail.com), www.onlineijra.com

Papers are reviewed on the understanding that they are submitted solely to this Journal. If accepted, they may not be published elsewhere in full or in part without the Editor-in-Chief's permission. Please save your manuscript into the following separate files-**Title; Abstract; Manuscript; Appendix**. To ensure anonymity in the review process, do not include the names of authors or institution in the abstract or body of the manuscript.

Title: This title should include the manuscript, full names of the authors, the name and address of the institution from which the work originates the telephone number, fax number and e-mail address of the corresponding author. It must also include an exact word count of the paper.

Abstract: This file should contain a short abstract of no more than 120 words.

MANUSCRIPT: This file should contain the main body of the manuscript. Paper should be between 5 to 10 pages in length, and should include only such reviews of the literature as are relevant to the argument. An exact word count must be given on the title page. Papers longer than 10 pages (including *abstracts, appendices and references*) will not be considered for publication. Undue length will lead to delay in publication. Authors are reminded that Journal readership is abroad and international and papers should be drafted with this in mind.

References should be listed alphabetically at the end of the paper, giving the name of journals in full. Authors must check that references that appear in the text also appear in the References and *vice versa*. Title of book and journals should be italicised.

Examples:

BLUMSTEIN, A. and COHEN, J. (1973), 'A Theory of Punishment' *Journal of Criminal Law and Criminology*, 64:198-207

GUPTA, RAJKUMAR (2009), *A Study of The Ethnic Minority in Trinidad in The Perspective of Trinidad Indian's Attempt to Preserve Indian Culture*, India: Maneesha Publication,

RICHARDSON, G. (1985), 'Judicial Intervention in Prison Life', in M. Maguire, J. Vagg and R. Morgan, eds., *Accountability and Prisons*, 113-54. London: Tavistock.

SINGH, ANITA. (2007), *My Ten Short Stories*, 113-154. India: Maneesha Publication.

In the text, the name of the author and date of publication should be cited as in the Harvard system (e.g. Garland 1981: 41-2; Robertson and Taylor 1973; ii.357-9). If there are more than two authors, the first name followed by *et al.* is mandatory in the text, but the name should be spelt out in full in the References. Where authors cite them as XXXX+date of publication.

Diagrams and tables are expensive of space and should be used sparingly. All diagrams, figures and tables should be in black and white, numbered and should be referred to in the text. They should be placed at the end of the manuscript with their preferred location indication in the manuscript (e.g. Figure 1 here).

Appendix: Authors that employ mathematical modelling or complex statistics should place the mathematics in a technical appendix.

NOTE : Please submit your paper either by post or e-mail along with your photo, bio-data, e-mail Id and a self-addressed envelop with a revenue stamp worth Rs.51 affixed on it. One hard copy along with the CD should also be sent. A self-addressed envelop with revenue stamp affixed on it should also be sent for getting the acceptance letter. Contributors submitting their papers through e-mail, will be sent the acceptance letter through the same. Editorial Board's decision will be communicated within a week of the receipt of the paper. For more information, please contact on my mobile before submitting the paper. All decisions regarding members on Editorial board or Advisory board Membership will rest with the Editor. Every member must make 20 members for Anvikshiki in one year. For getting the copies of 'Reprints', kindly inform before the publication of the Journal. In this regard, the fees will be charged from the author.

COPYRIGHT of the papers published in the Journal shall rest with the Editor.

Search Research papers of The Indian Journal of Research Anvikshiki-ISSN 0973-9777 in the Websites given below

<http://nkrc.niscair.res.in/BrowseByTitle.php?keyword=A>



www.icmje.org



www.scholar.google.co.in



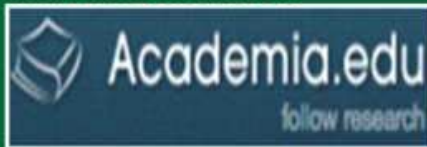
www.kmle.co.kr



www.fileaway.info



www.banaras.academia.edu



www.edu-doc.com



www.docslibrary.com



www.dandroidtips.com



www.printfu.org



www.cn.doc-cafes.com



www.freetechebooks.com



www.google.com



www.onlineijra.com

ISSN 0973-9777



09739777

₹ 1500/-